



in protection class EEx me
Category II 2 G
ATEX

- For 2/2, 3/2, 5/2 and 5/3 valves
- Power consumption from 0.7 up to 12 Watt
- High chemical resistance
Body: Plastic PPS
- Suitable for outdoor installation
- For high ambient temperature
- Easy mounting of solenoid
- Compact design
- Simple electrical installation



Technical data

EC-Type examination certificate:

KEMA 98 ATEX 4452X

Standard voltages:

DC 24 V

UC 24 V

AC 110 V, 230 V (40 - 60 Hz)

further voltages on request

Protection class:

IP 66

Temperatures:

down to -40 °C

Details see table overleaf

Ordering information

Solenoid in protection class

EEx me II T4/T6, voltage 24 V DC,

power consumption 3.9 W, for core tube

Ø 13 mm


Type: 0000000.4210.024.00

EEx e cable gland M 20x1,5


Type: 0588819



For core tube Ø 13 mm

	Type	Power consumption		Current at		Protection class	Temperatures fluid or ambient (°C)	Perm. rel. air humidity (%)	Weight (kg)	Circuit diagram
		24V DC (W)	230V AC (VA)	24V DC (mA)	230V AC (mA)					
	4200	0,8	–	33	–	EEx me II T5/T6	-40 to +80 (T5) -40 to +70 (T6)	95	0,6	SB04
	4201	–	1,3	–	6	EEx me II T5/T6	-40 to +80 (T5) -40 to +70 (T6)	95	0,6	SB07
	4210	3,9	–	162	–	EEx me II T4/T6	-40 to +80 (T4) -40 to +55 (T6)	95	0,6	SB04
	4211	–	5,3	–	23	EEx me II T4/T6	-40 to +80 (T4) -40 to +55 (T6)	95	0,6	SB07
	4220	8,9	–	369	–	EEx me II T4/T5	-40 to +65 (T4) -40 to +55 (T5)	95	0,6	SB04
	4221	–	10	–	43	EEx me II T4/T5	-40 to +65 (T4) -40 to +55 (T5)	95	0,6	SB07
	4230	11,4	–	475	–	EEx me II T4/T5	-40 to +50 (T4) -40 to +40 (T5)	95	0,6	SB04
	4231	–	15,2	–	66	EEx me II T4/T5	-40 to +50 (T4) -40 to +40 (T5)	95	0,6	SB07

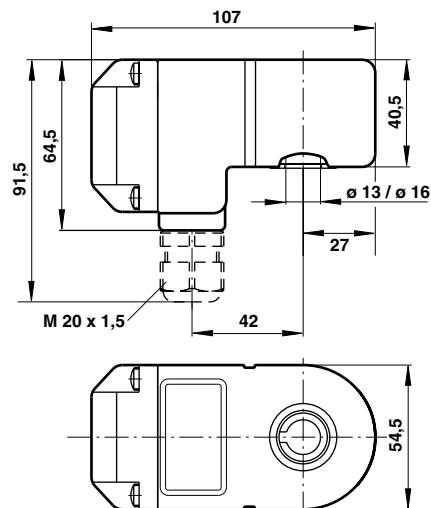
For core tube Ø 16 mm

	Type	Power consumption		Current at		Protection class	Temperatures fluid or ambient (°C)	Perm. rel. air humidity (%)	Weight (kg)	Circuit diagram
		24V DC (W)	230V AC (VA)	24V DC (mA)	230V AC (mA)					
	4260	3,9	–	162	–	EEx me II T4/T6	-40 to +80 (T4) -40 to +55 (T6)	95	0,6	SB04
	4261	–	5,3	–	23	EEx me II T4/T6	-40 to +80 (T4) -40 to +55 (T6)	95	0,6	SB07
	4270	8,9	–	369	–	EEx me II T4/T5	-40 to +65 (T4) -40 to +55 (T5)	95	0,6	SB04
	4271	–	10	–	43	EEx me II T4/T5	-40 to +65 (T4) -40 to +55 (T5)	95	0,6	SB07
	4280	11,4	–	475	–	EEx me II T4/T5	-40 to +50 (T4) -40 to +40 (T5)	95	0,6	SB04
	4281	–	15,2	–	66	EEx me II T4/T5	-40 to +50 (T4) -40 to +40 (T5)	95	0,6	SB07

The solenoids below are suitable for the listed valve series.

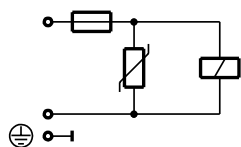
Solenoid	Valve series	Data sheet
4200 / 4201	26360, 80207, 97105	5.4.334, 5.4.337, 5.4.335
4210 / 4211	26360, 80207, 95000, 96000	5.4.334, 5.4.337, 5.4.304, 5.4.305
4220 / 4221	95000, 95100, 96000	5.4.304, 7502898, 5.4.305
4230 / 4231	91000, 95000, 95100, 96000	7503141, 5.4.304, 7502898, 5.4.305
4260 / 4261	24011	5.4.306
4270 / 4271	25003, 95000, 95100, 96000	5.4.307, 5.4.304, 7502898, 5.4.305
4280 / 4281	25003, 95000, 95100, 96000	5.4.307, 5.4.304, 7502898, 5.4.305

Dimensional drawing

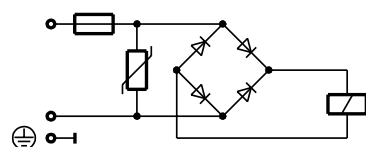


Circuit diagrams

SB04



SB07



Accessories

Description	Type
Cable gland M20x1,5, protection class EExe (ATEX), Material: nickel plated brass, for cable ø 5mm to 8 mm	0588819